

StaticSmart™

BR1200

Round Static Bar

Specifications

Round: 3/4 inch diameter

Overall length: 4 1/2 to 144 inches

Effective length: 1 to 141 inches

Ionizing point spacing: 1/2 inch on center

High voltage cable: 30KVDC, 80C, UL VW-1. Standard length 72 inches inside braided shield.

Terminated in a user installed spring-loaded connector to mate with TSN75 or comparable power supply.

Optimum range: 3/4 to 1 1/2 inches

Mounting: loop clamps

Certifications:

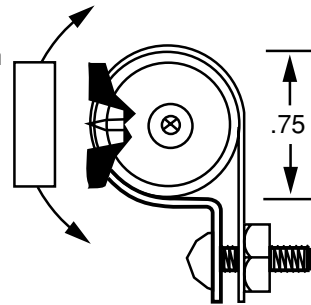


Contact and separation between two surfaces creates static electricity, which can often cause materials like paper, plastic, textiles and other non-conductive materials to randomly attract to or repel from themselves or their surroundings. In a manufacturing environment this causes process problems which include jams, clogs, mis-feeds, poor stacking, reduced transport speeds, shocks to operators, fires, explosions, and a variety of contamination related problems.

The BR1200 is a “shockless” static neutralizing bar designed to help you control these troublesome and costly problems by neutralizing the static electricity that causes them.

End view

Round body design enables user to “aim” the emitter points as needed. Improves mounting flexibility, too.



Side view



Julie Industries
Static Control Solutions
www.julieindustries.com

355 Middlesex Avenue
 Wilmington, MA 01887
 Tel: 978-988-8802
 Fax: 978-988-8803